



KIT_GXP 35010231001804

Converts a bottom bracket from
24mm to Sram GXP

BEFORE INSTALLING

Do not alter the product in a way that could pose a risk to the cyclist or others.
Any modification of the product will void the warranty.

If in doubt, you can send us an email to: customer.support@bikone.com

IMPORTANT:

If your bottom bracket set is for road bikes, use GXP road cranks
If your bottom bracket set is for mountain bikes, use GXP mountain cranks.

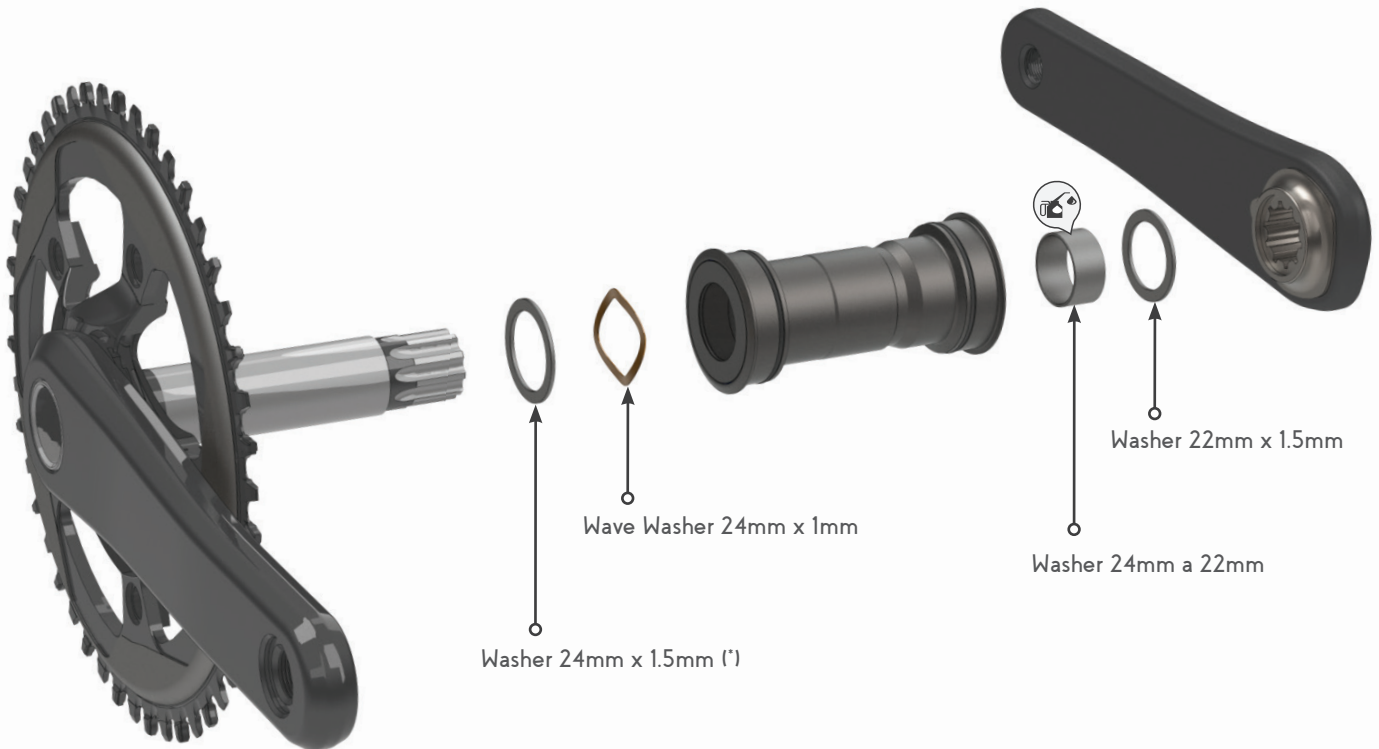
DURING USE

Check that there is no lateral movement in the cranks and that the cranks spin smoothly.
Make sure the cranks are properly adjusted and tightened to the torque specified by the manufacturer.

Never clean the assembly with direct high-pressure water or brake cleaner.

It is recommended to use a soft brush or wet cloth with soap.

INSTALATION



Grease the indicated components.

Install the components in the order shown in the photograph.

(*) In cases where external conditions make the total length of the crank insufficient, The 24mm x 1.5mm spacer, needs to be removed

GUARANTEE

All Bikone bottom brackets are warranted against product defects for 2 years from the date of purchase.
This warranty applies to the original owner of purchase and is not transferable to future owners.
The warranty does not cover damage caused by use on wear parts.
The warranty does not cover damage caused by improper installation.
Please refer to our website for more information or visit an authorised dealer.