



**PROFILE
DESIGN**

HSA 800 EVO HYDRATION

REVISION 01-08-30-2024

INTRODUCTION

Thank you for purchasing this Profile Design Hydration System. These instructions apply to both the standard and plus versions of the HSA 800 EVO.

Please read these instructions thoroughly before attempting to install this item. Proper installation is required for compliance with Profile Design's warranty policy. If you are not familiar with installing cycling accessories, please seek the assistance of your local Profile design dealer by logging on to www.profile-design.com and using "dealer search" or by calling Profile Design's customer service number p.# 888.800.5999.

Note to Dealers: If you install this product for the consumer, please provide him/her with this owner's manual after installation.

Tools and materials required:

- 5mm Hex Wrench
- Torque Wrench with a 5mm Hex fitting
- Grease such as Finishline Premium Grease

Your kit should contain:

- Two (2) A3 Reach Extender
- Two (2) Stainless steel M6x35mm bolts
- Two (2) Washer

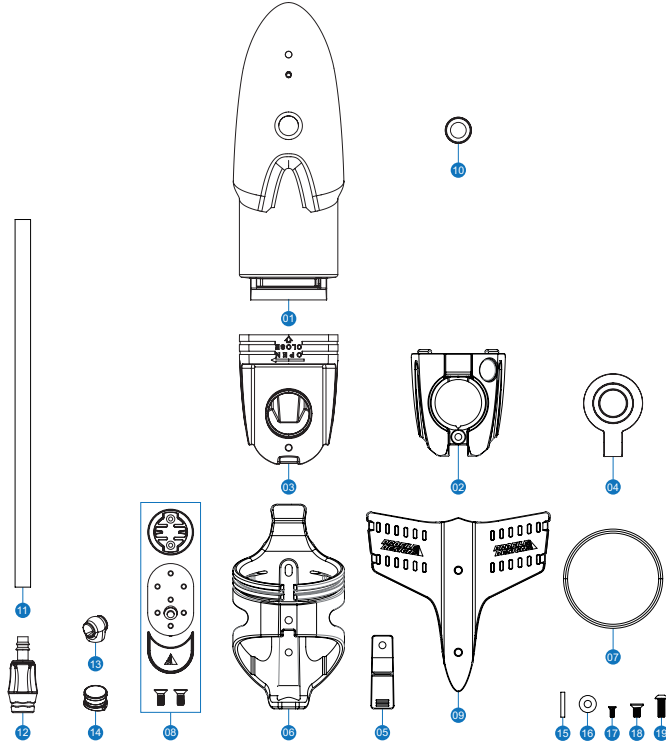
Caution! Before riding, ensure that the bolts are tightened to the torque specified in the Instruction Sheet.

Your hydration system should contain:

- One(1) Plastic bottle
- One(1) Plastic Cap with fill port and magnet buried
- One(1) Plastic BTA mount with threaded inserts
- One(1) Plastic bottle cage with retention clip
- One(1) Garmin mount
- One(1) Drinking straw
- One(1) Plastic zip ties

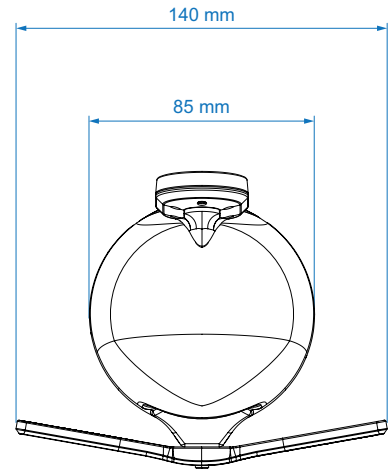
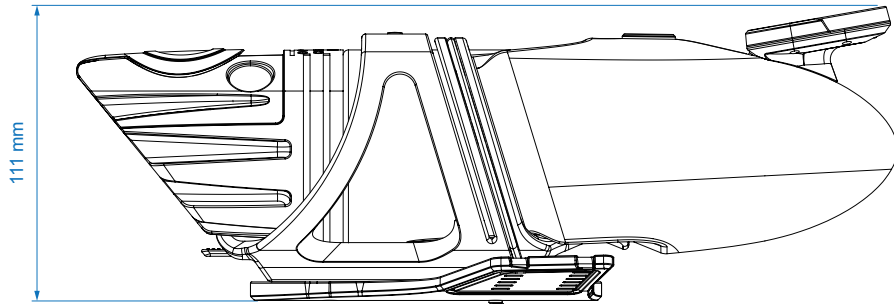
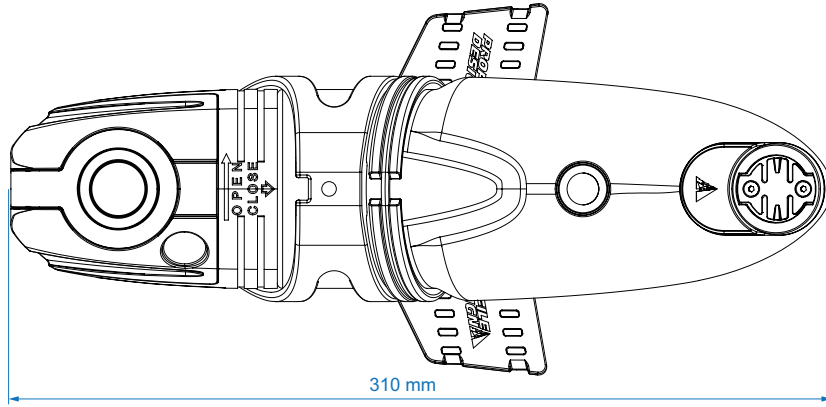
If anything is missing from the hydration system please contact your dealer.

COMPONENT LIST

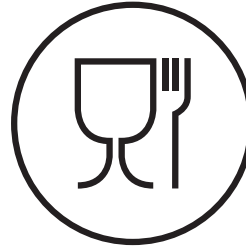
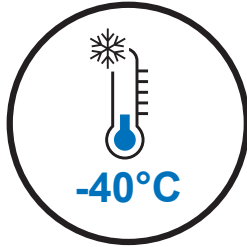
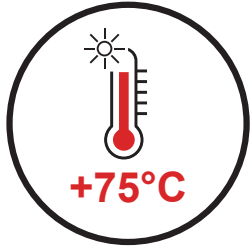


Ref.#	Part.#	QTY. Req.	Part Description
1	600221	1	Bottle - PFD HSA 800 EVO BK
2	B141	1	Rear Cap - HSF 800+ Magnet System (Integration)
3	B219	1	Rear Cap - HSF 800 EVO BK
4	B221	1	Top Lid - For HSA 800 EVO BK
5	B146	1	Latch -Axis Grip for HSF 800
6	414254	1	Cage - AXIS GRIP Integration
7	B147	1	O Ring - Axis Grip
8	796356	1	Computer Mount - PFD HSA 800 EVO Integration
9	B150	1	BTA - HC MOUNT 2
10	B217	1	Grommet - PFD AEROFLOW 20x12x6.8mm silicone Black Straw Hole Cover
11	B222	1	Straw - 8.8x11.8x440mm Grey
12	B201	1	Bite Valve II Dark Gray
13	WB208	1	Magnet System - PFD HSF Magnet Kit II For Straw (Integration)
14	WB209	1	Magnet System - PFD HSF Magnet Kit II For Extension (Integration)
15	274468	1	Pin - 3 x 19 mm
16	275673	2	Washer 5.3 x 13 x 1
17	313599	2	Bolt - M3 x 8 FHB SL
18	313597	2	Bolt - M5 x 10 FHB SL
19	313598	2	Bolt - M5 x 14 HBB SL w/nylock

PART DRAWINGS



PRODUCT SPECIFIC SETUP LIMITATIONS



WARNING

If you want to put it in the dishwasher, please make sure that the temperature is maintained at a heat-resistant temperature. If not, we haven't recommended to put it in the dishwasher.

INSTALLATION INSTRUCTIONS

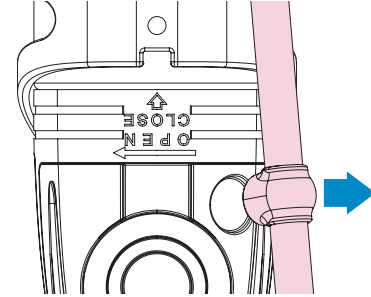
Installing the system on a bike:

1. Place the wings of the HC Mount II on the extensions.
2. Route the zip ties around the extension and through the slots in the mount.
3. Use the pliers to pull the zip ties tight, alternatingly sides to ensure the mount is centered.
4. You must use two zip ties per side.
5. Once the mount is securely fastened, use the scissors or diagonal pliers to trim the zip ties, being careful not to harm yourself or damage any of the components of the hydration system or bike.

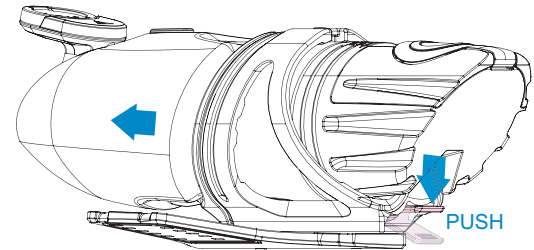
Note that the mount can be installed on the lower side of the extensions if you wish to set the hydration system lower.

Removing the bottle:

1. To remove the bottle first ensure that the hose is not attached to the magnet or clip.

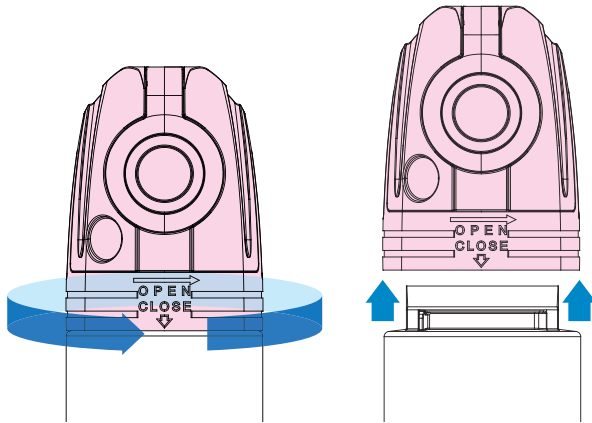


2. Then depress the lever on the clip that is located at the rear of the bottle. (Hear clip click)
3. While holding the lever down, carefully pull the bottle forwards out of the cage.



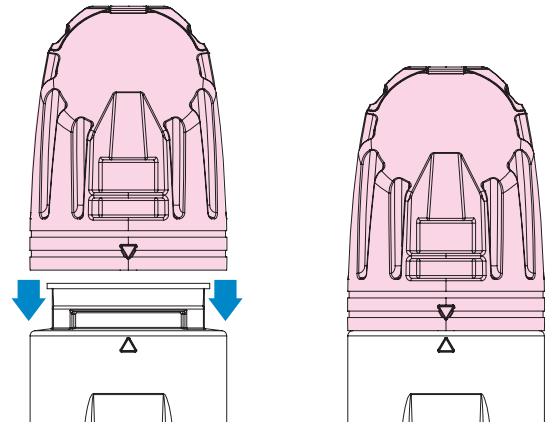
Opening the bottle:

1. To open the bottle, first remove it from the cage. (see instructions below on how to remove the bottle from the cage)
2. Unscrew the cap by turning counter clockwise. (If the cap is at the top)
3. Once the threads disengage you will need to pull the cap the remaining distance.
4. Note that it will be slightly easier to do this if you open the fill port.



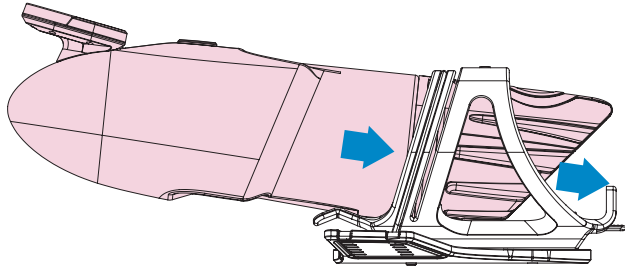
Closing the bottle:

1. Again, it will be easier to do this with the fill port open.
2. Carefully align the triangle on the cap and bottle.
3. Carefully push the cap down on the bottle making sure the gap between the two parts is even, and push it till the end.
4. Close the fill port.



Installing the bottle:

1. Orient the bottle correctly with the guide channel on the base lined up with the front tab on the cage.
2. Slide the bottle into the cage until you hear a click from the retention clip.
3. Check to make sure that the cage and guide channel are correctly matched.
4. If the bottle has not seated correctly, depress the retention lever and re-align the guide channel.



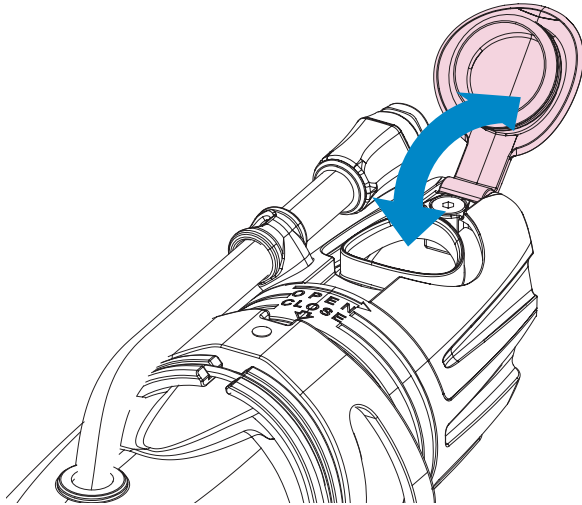
Cleaning the system:

1. Remove the bottle from the cage and remove the cap.
2. You can use a bottle brush to clean inside the bottle and cap.
3. A hose brush can be used to clean the straw.
4. The bottle could be placed in a dishwasher with the straw and straw gusset removed.
5. Do not use harsh chemical cleaners on your hydration system.
6. Once the system is clean and dry, reassemble and fit to your bike.

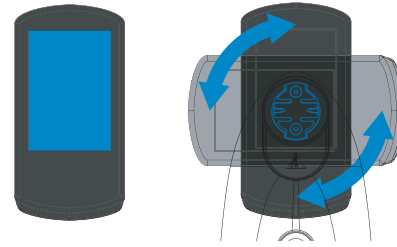
Using the bottle:

1. To drink during a race.
 - a. Remove the straw from the magnet and place the end in your mouth.
 - b. If the hydration system is equipped with a bite valve ensure this is oriented with the slit vertically in your mouth and that the valve is pulled open.
 - c. Suck on the straw to take a drink.
 - d. Place the straw back in the clip or on the magnet

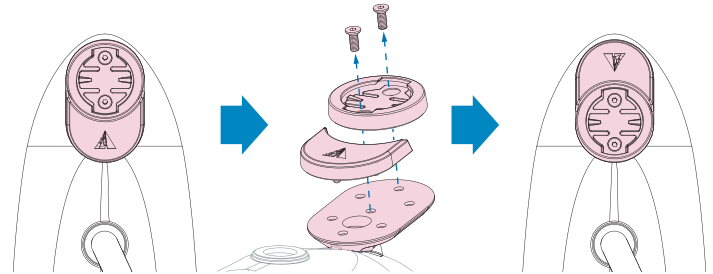
2. To fill the bottle
 - a. Open the fill port by pulling the tab back towards your body.
 - b. Insert the nozzle of your refill into the fill port.
 - c. Squeeze the refill bottle until it is empty.
 - d. Close the fill port.



3. To install a Garmin® GPS unit
 - a. Place the tabs on the base of the Garmin® into the mount and gently make a quarter turn of the head unit to engage it with the mount.



- b. The computer mount features adjustable length. You can remove the cover, loosen the two bolts, then change the mount's position and place the cover in the front.



WARRANTY POLICY

- Profile Design Worldwide Two Year Limited Warranty.
- Profile Design, LLC (distributor) warrants to the original retail purchaser ("you") that the Profile Design product for which you received this warranty is free from defects in material and workmanship for (2) two years from the date of original retail purchase. For more details on this warranty, its exclusions and/or how to make a claim under the warranty please call +1 310.747.0085 extension 161 or visit www.profile-design.com/pages/warranty



2677 El Presidio Street
Long Beach, CA 90810
Ph: 310-884-7756

www.profile-design.com

© Profile Design LLC