

***PROFILE
DESIGN*** 

A3 TILT BOOSTER

REVISION 01-11-19-2024

INTRODUCTION

Thank you for purchasing this Profile Design product. These instructions apply to the A3 Tilt Booster.

Please read these instructions thoroughly before attempting to install this item. Proper installation is required for compliance with Profile Design's warranty policy. If you are not familiar with installation of Aerobars or their accessories, please seek the assistance of your local Profile design dealer by logging on to www.profile-design.com and using "dealer search" or by calling Profile Design's customer service number p.# 888.800.5999.

Note to Dealers: If you install this product for the consumer, please provide him/her with this owner's manual after installation.

Tools and materials required:

- 5mm Hex Wrench
- Torque Wrench with a 5mm Hex fitting
- Grease such as Finishline Premium Grease

Your kit should contain:

- Two (2) Aluminium Tilt Booster

Products compatible with this extender:

- Any bar that uses the A3 Riser system
- Any bar that uses the A2 Riser system, with the addition of the A2-A3 adaptor (available separately)

This product is not compatible with:

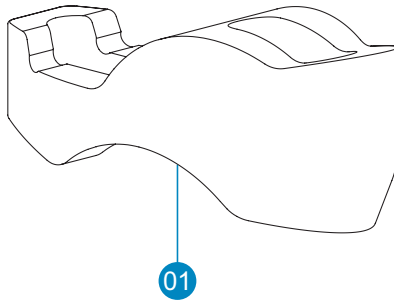
- Our 31.8mm risers
- The Aeria 1 system
- Any bar that does not use our A3 or A2 risers

If anything is missing from the Riser kit please contact your dealer.

Please note that threaded areas have been pre-treated by Profile Design during production with a special blue thread locking compound. This special compound is easy to detect on the threads of all bolts provided. If you cannot detect this thread locking compound or you are re-installing the bolt, re-apply a suitable thread locking compound as available from Loctite® or another company before assembly.

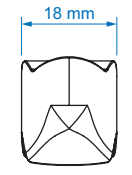
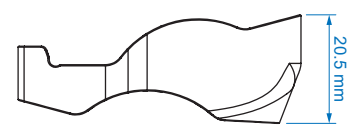
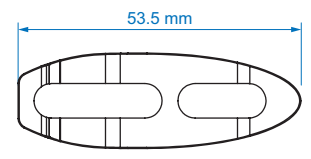
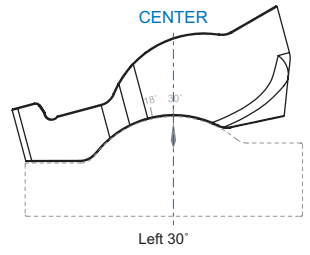
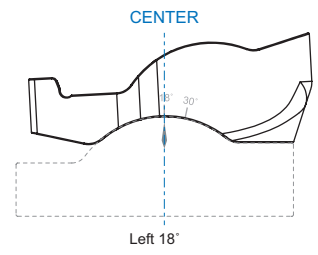
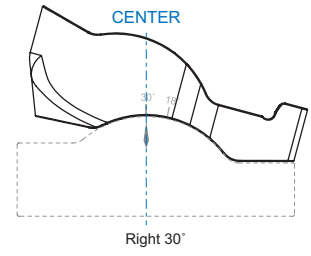
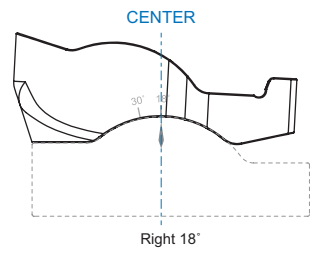
WARNING: Periodically check the Aero bar for damage, particularly for scratches through the anodised coating (aluminium parts) or clearcoat (carbon parts) that could lead to degradation and weakening of the base material. Replace your Aero bar if you notice any damage from use or accident.

COMPONENT LIST

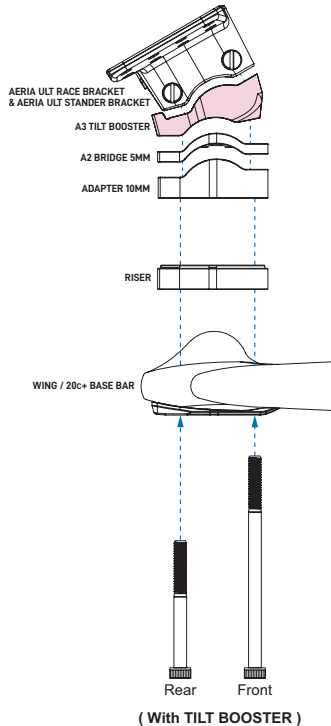


Ref.#	Part.#	QTY. Req.	Part Description
1	274482	2	Adapter - A3 TILT BOOSTER Alloy Black

PART DRAWINGS



BRACKET BOLT LENGTH & TORQUE SETTINGS



Basebar : WING / 20c.

Bolt : M6 Head

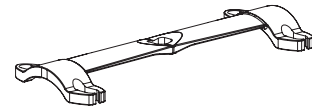
Unit : MM

Front / Rear each needs 2pcs

A3 Riser(mm)		0	5	10	15	15	20	25	30	35	Torque
With A2 Bridge(mm)		X			5						6Nm (53 inlbf)
Bolt Length	Front	60	65	70	75	80	85	90	95	100	
	Rear	45	50	55	60	65	70	75	80	85	

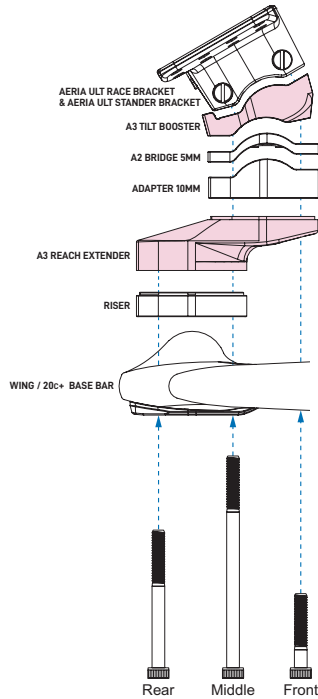


Before riding, ensure that the bolts are tightened to the torque specified in the Instruction Sheet.



A2 BRIDGE 5MM

BRACKET BOLT LENGTH & TORQUE SETTINGS



(With A3 REACH EXTENDER & TILT BOOSTER)

Basebar : WING / 20c.

Bolt : M6 Head

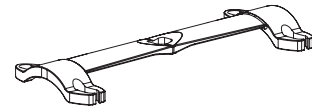
Unit : MM

Front / Middle / Rear each needs 2pcs

A3 Riser(mm)		0	0	5	10	15	20	25	Torque
With A2 Bridge(mm)		X	5						6Nm (53 inlbf)
Bolt Length	Front	50	55						
	Middle	70	75	80	85	90	95	100	
	Rear	25	25	30	35	40	45	50	

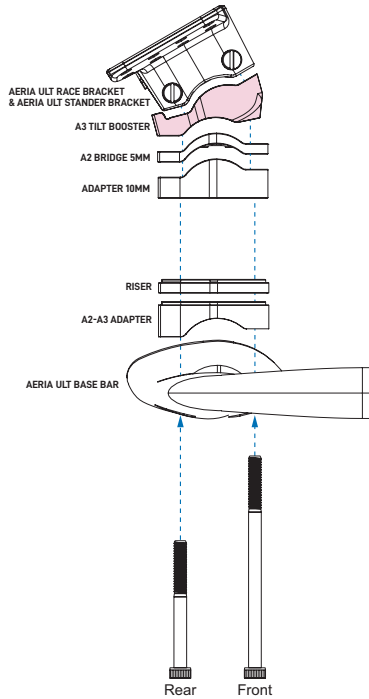


Before riding, ensure that the bolts are tightened to the torque specified in the Instruction Sheet.



A2 BRIDGE 5MM

BRACKET BOLT LENGTH & TORQUE SETTINGS



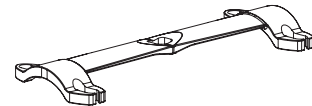
(With TILT BOOSTER)

Basebar : AERIA ULT
 Bolt : M6 Head
 Unit : MM
 Front / Rear each needs 2pcs

A3 Riser(mm)		0	0	5	10	15	20	25	30	35	Torque
With A2 Bridge(mm)		X	5								
Bolt Length	Front	60	65	70	75	80	85	90	95	100	6Nm (53 inlbf)
	Rear	55	60	65	70	75	80	85	90	95	

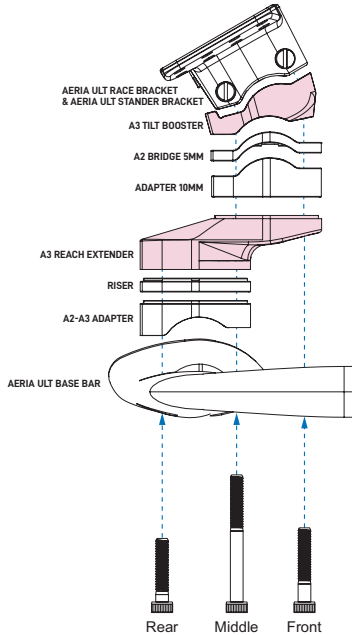


Before riding, ensure that the bolts are tightened to the torque specified in the Instruction Sheet.



A2 BRIDGE 5MM

BRACKET BOLT LENGTH & TORQUE SETTINGS



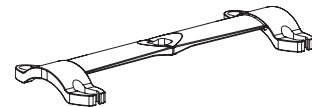
(With A3 REACH EXTENDER & TILT BOOSTER)

Basebar : AERIA ULT
 Bolt : M6 Head
 Unit : MM
 Front / Middle / Rear each needs 2pcs

A3 Riser(mm)		0	0	5	10	15	20	Torque
With A2 Bridge(mm)		X	5					6Nm (53 inlbf)
Bolt Length	Front	50	55					
	Middle	75	80	85	90	95	100	
	Rear	30	30	35	40	45	50	



Before riding, ensure that the bolts are tightened to the torque specified in the Instruction Sheet.



A2 BRIDGE 5MM

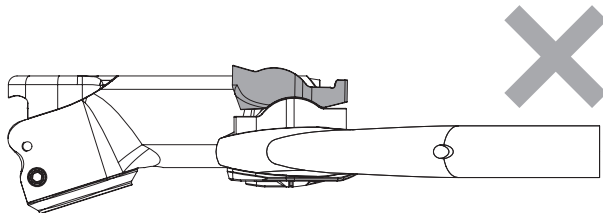
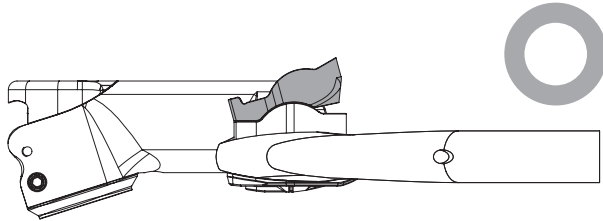
INSTALLATION INSTRUCTIONS

Caution!

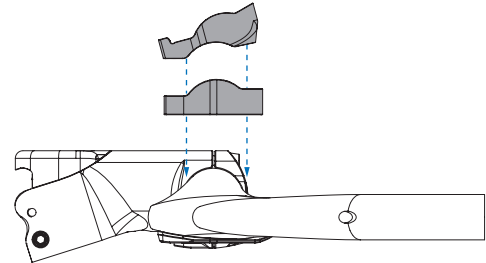
Before riding, ensure that the bolts are tightened to the torque specified in the Instruction Sheet.

1. Consult the bolt length table to ensure you use the correct length bolts for your setup. Apply grease to the contact surfaces of the risers and Tilt Booster.

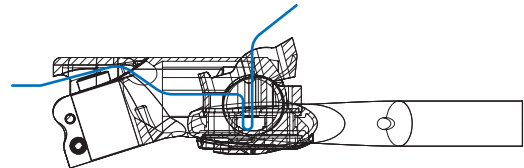
- That the Tilt Booster cannot be mounted in the rearwards position.



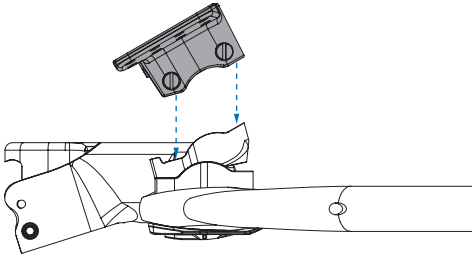
2. Assemble the risers with the Tilt Booster at the bottom.



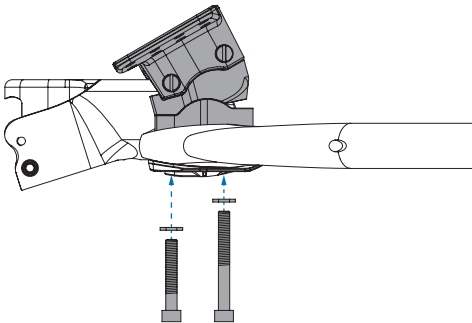
3. If using electronic gears, route the cable through the basebar and risers prior to installing the Tilt Booster.



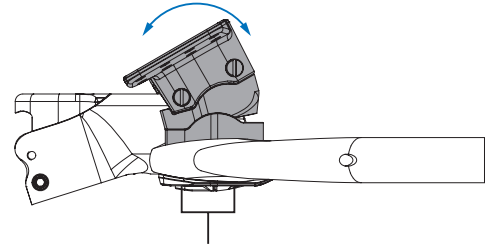
4. Then fit the aerobar bracket on top of the Tilt Booster.



5. First install the front and rear bolt using a 5mm hex wrench, and please do not tighten the screws yet. 6. Install the front bolt using the 5mm hex wrench.



6. After checking the placement of the brackets then use the torque wrench with a 5mm fitting to tighten the aerobar bracket clamp to 6Nm.



*Torque the bolts to 6Nm

WARNING:
Using bolts that are too long for the risers and bracket will prevent correct installation.
Bolts that are too short may lead to failure during use.

WARRANTY POLICY

- Profile Design Worldwide Two Year Limited Warranty.
- Profile Design, LLC (distributor) warrants to the original retail purchaser ("you") that the Profile Design product for which you received this warranty is free from defects in material and workmanship for (2) two years from the date of original retail purchase. For more details on this warranty, its exclusions and/or how to make a claim under the warranty please call +1 310.747.0085 extension 161 or visit www.profile-design.com/pages/warranty



2677 El Presidio Street
Long Beach, CA 90810
Ph: 310-884-7756

www.profile-design.com

© Profile Design LLC